

PRODUCTION ON SITE



PROMARK

ID-PRINTER MK9-NG

- Compact, portable, ID printer for cable, wire and component marking on site.
- Feeds, prints and cuts bulk Partex profiles and self adhesive labels from internal cassettes.
- Stores or imports files from a compact flash memory card. (Option)
- Chose between English, German or French language in the printer display
- ProMark is a very cost effective identification system for use in panel building and electrical installations.

SPECIFICATION

GENERAL

The second generation of ProMark is a thermal transfer printer that easily can be placed on a table and produce markers on site. The printer is equipped with a card reader/writer that makes it possible to transfer files with marker information between the printer and a PC. The MK9 supports formats as CSV and its own LMF-format.

ProMark has several libraries with symbols that can be imported onto the marker. The MK9 is equipped with an International keyboard; therefore you have to import unique European letters from a library of European letters.

Some new functions:

- You can now better adjust the height of the printing position.
- Increased production speed, 25mm/s
- You can now change the profile settings without having to turn the printer OFF.
- The internal memory has been increased from 705 characters to 2000 characters.
- Adjust the cutting depth manually.
- The total printing length has been increased to; Tube=20m and Tape=5m
- It prints and feeds the profile more silent.
- In auto length you can cut the marker right after the last character has been printed.
- Chose between English, German or French language in the printer display.

The MK9-Kit contains

MK9 printer, Carrying case, Black ribbon, Ribbon holder, Power unit, Manuals, White and yellow PO-05 profile, PO-068TW profile, Cable ties and POH-07

PRINTER DATA

Thermal transfer printing:

300 dpi print resolution

Printing speed:

25.0 mm/s in standard mode
10.0 mm/s in Low temperature mode.

Text heights:

2, 3, 4 or 6mm.

Maximum rows that can be printed:

1 row in Tube-mode and 1-4 rows in Tape mode

PC connection:

You can transfer information between a PC and the printer by using a Compact Flash Card (Type 1*) and the software Winsign.

Power:

AC adapter 100 ~ 240V (50-60Hz).
Power consumption: 20 W
CE-certified.

Measurements and weight:

(L x W x H): 286x267x95mm.

Weight:

2Kg

Temperature range:

Operating temperature: +15°C till +35°C

Storage temperature: 0°C till +40°C

To obtain the best printing result, the temperature of the profile shouldn't be lower then +25°C

* Type 1 is a thin card and Type 2 is a thick card. (We recommend flash cards from SanDisk)

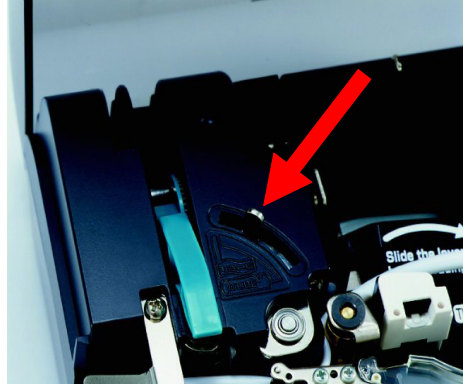
THE PROMARK MK9 SYSTEM CONCEPT



PROMARK MK9 IS DELIVERED WITH CARRY CASE, AC/DC ADAPTER, RIBBON AND RIBBON CASSETTE HOLDER



EASY LOADING OF RIBBON INTO RIBBON HOLDER. 50 METER BLACK RIBBON AND 30 METER WHITE RIBBON.



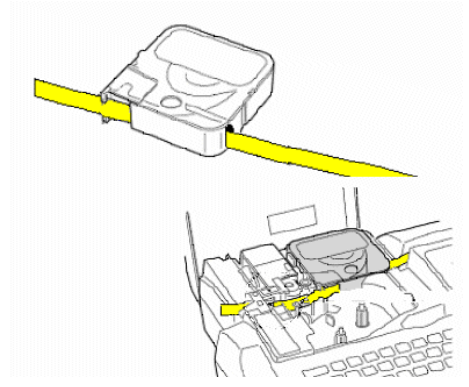
THE CUTTING DEPTH CAN BE ADJUSTED MANUALLY.



A COMPACT FLASH CARD READER/ WRITER FOR DESKTOP COMPUTER.



TRANSFER DATA FILES WITH MARKING INFORMATION BETWEEN THE PC AND THE PRINTER BY USING A COMPACT FLASH MEMORY.

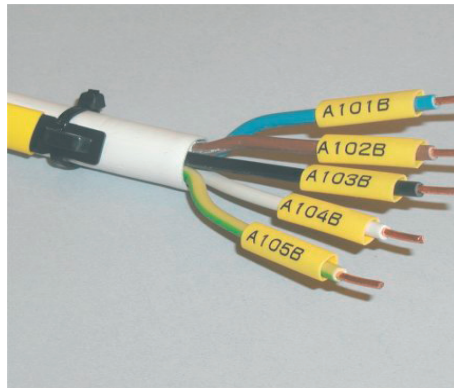


PROFILE GUIDE CASSETTES FOR PP- AND PO-068 PROFILE

APPLICATIONS



COMPACT DISCS WITH PO AND POZ PROFILES



PO WIRE MARKERS



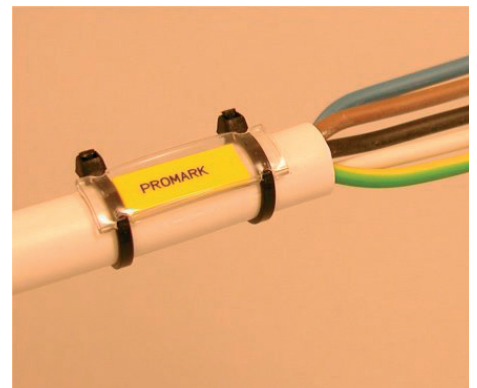
PO-MARKERS ON OPTIC CABLES



COMPACT DISCS WITH PP-PROFILE



PP-PROFILE INSIDE A PT+ SLEEVE



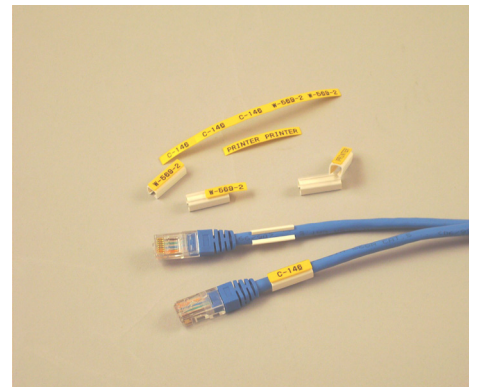
PP-PROFILE INSIDE A PM20/33 HOLDER



COMPACT DISC WITH PO-06Q10 PUNCHED CABLE MARKING PROFILE



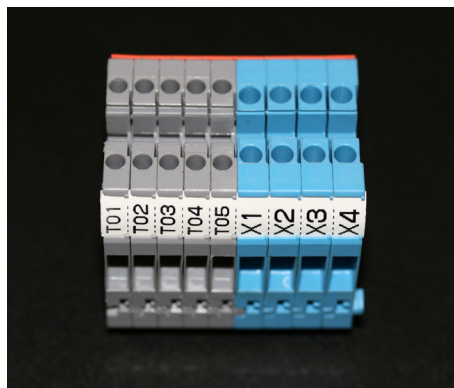
PO-068TW CABLE MARKING ON PKH AND POH HOLDERS



PP-PROFILE IN A PTC SLEEVE THAT HAS BEEN MOUNTED ON A CAT CABLE.



5, 9 AND 12 MM TAPE CASSETTES



PP-PROFILE MOUNTED IN TERMINAL BLOCKS



PHZ HALOGEN FREE HEAT SHRINK TUBING IN MINIBOX SIZES 3.2 , 4.8 AND 6.4 MM

PRODUCT AND ORDERING INFORMATION

Article Number	Info	Pack Unit (MOQ)
Printer and accessories		
MK9-NG-KIT1	MK9 ProMark + PO-KIT	1 pce
MK9-PO-KIT1	PO-05000SN4, PO-05000SN9, PKB-100SV, POH07060AA0 and PO-068TWSN*	BOX
MK9-RB	Black ribbon 50m	5 pcs (250m)
MK9-RW	White ribbon 30m	5 pcs (150m)
MK9-RC	Ribbon Cassette holder	1 pce
MK9-CU	Cutting Unit	2 pcs
MK9-FM	Flash card memory (Type 1)	1 pce
MK9-FMR	Card reader/writer for flash card memory (USB)	1 pce
MK9-CAS120	Profile Guide cassette for PO-068TW	1 pce
MK9-CAS46	Profile Guide cassette for PP-046	1 pce
MK9-CAS63	Profile Guide cassette for PP-063	1 pce
MK9-CAS90	Profile Guide cassette for PP-090	1 pce
Tape cassettes		
MK9-PL050CN4	Tape Cassette 5mm x 8m, yellow	1 pce
MK9-PL050CN9	Tape Cassette 5mm x 8m, white	1 pce
MK9-PL050CNT	Tape Cassette 5mm x 8m, transparent	1 pce
MK9-PL090CN4	Tape Cassette 9mm x 8m, yellow	1 pce
MK9-PL090CN9	Tape Cassette 9mm x 8m, white	1 pce
MK9-PL090CNT	Tape Cassette 9mm x 8m, transparent	1 pce
MK9-PL120CN4	Tape Cassette 12mm x 8m, yellow	1 pce
MK9-PL120CN9	Tape Cassette 12mm x 8m, white	1 pce
PO-Profile		
PO-02000SN*	PO-profile 0,5mm ² . Diam 1.7-2.2mm	5.0m / Compact disc
PO-03000SN*	PO-profile 0.75mm ² Diam 2.0-2.5mm	4.5m / Compact disc
PO-04000SN*	PO-profile 1.0mm ² Diam 2.2-2.8mm	4.5m / Compact disc
PO-05000SN*	PO-profile 1.5mm ² Diam 2.7-3.5mm	4.0m / Compact disc
PO-06000SN*	PO-profile 2.5mm ² Diam 3.2-4.0mm	3.5m / Compact disc
PO-068TWSN*	PO-068TW profile with thin wall Diam 6.8-7.0 mm	50.0m / Big reel
PO-068TWSN*	PO-068TW profile with thin wall Diam 6.8-7.0 mm	4.5m / Compact disc
PO-06Q10SN*	PO-profile punched, 10mm between the punched holes	3.5m / Compact disc
PO-07000SN*	PO-profile 4.0mm ² Diam 3.8-4.7mm	3.5m / Compact disc
POZ02000SN*	POZ-profile Zerex 0.5mm ² . Diam. 1.7-2.2mm	5.0m / Compact disc
POZ03000SN*	POZ-profile Zerex 0.75mm ² Diam 2.0-2.5mm	4.5m / Compact disc
POZ04000SN*	POZ-profile Zerex 1.0mm ² Diam 2.2-2.8mm	4.5m / Compact disc
POZ05000SN*	POZ-profile Zerex 1.5mm ² Diam 2.7-3.5mm	4.0m / Compact disc
POZ06000SN*	POZ-profile Zerex 2.5mm ² Diam 3.2-4.0mm	3.5m / Compact disc
POZ07000SN*	POZ-profile Zerex 4.0mm ² Diam 3.8-4.7mm	3.5m / Compact disc
PRZ07100SN*	PRZ profile, Zerex can be mounted on PKH/POH holders	9.0m / Cardboard disc
Marker tag profile		
PP-04600SN*	PP-marker tag profile H=4.6mm, for PT+, PTC and PM-10	15.0m / Compact disc
PP-09000SN*	PP- marker tag profile H=9.0mm, for PM-20	18.0m / Compact disc
Cabinet and Component markers		
PPA09000SN*	PP-profile with adhesive for component markers etc.	10.0m / Compact disc
PP-06300SN9	PP-profile H=6.3 mm, for Phoenix terminal blocks (UT2.5, UTTB2.5, ST4, DT2.5, QTC, DTI2.5)	15.0m / Compact disc
PP-10000SN9	PP-profile H=10.2 mm, for Entrelecs terminal blocks	15.0m / Compact disc
PP-11000SN9	PP-profile H=11.0 mm, for Wagos TopJobs terminal blocks	12.0m / Compact disc
Heat Shrink Tubing		
PHZ20032MN*	Heat Shrink , Diam 3.2mm, shrink ration 2:1, Zerex	15.0m / Minibox
PHZ20048MN*	Heat Shrink , Diam 4.8mm, shrink ration 2:1, Zerex	12.0m / Minibox
PHZ20064MN*	Heat Shrink , Diam 6.4mm, shrink ration 2:1, Zerex	12.0m / Minibox

* = 4 Yellow profile ; 9 White profile ; other colours on request

Notes: Sleeves and Carrier strips Zerex = Halogen free

Following standard Partex products are possible to combine with the ProMark consumables:

1. PM-10/20/24 transparent sleeves with ProMark PP-046/090 insert tags and MK9-PL090/120 self adhesive labels.
2. PT+02/10/20/30 transparent sleeves combined with PP-046 insert tag profile.

3. PTC10/20/30/50 transparent sleeves are combined with PP-046 insert tag profile
4. PKH and POH carrier strips are combined with PO-068TW / PRZ071 cable marking profiles.

For detailed information, see separate data sheet.